

Setting up the unit

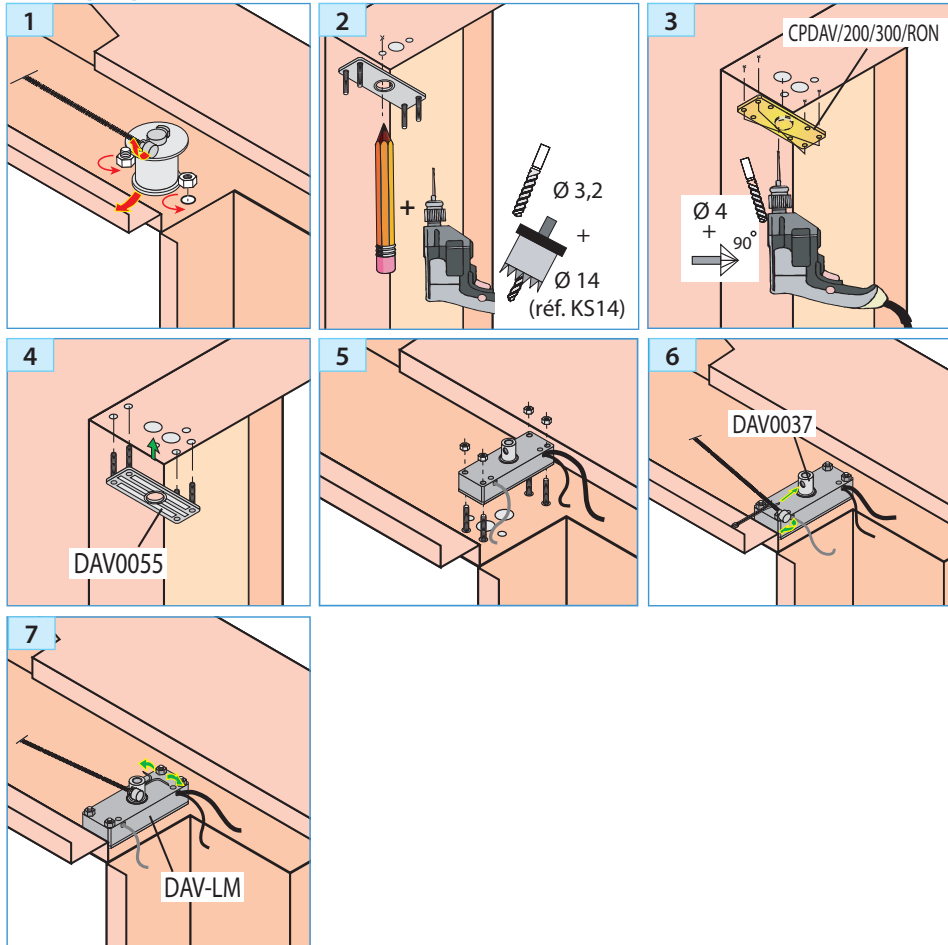
DAV700/750 LM-L

DAV800/850 LM-L

DEX LM-L

MDV21 LM-L

Mounting stages



DAV - DEX

WIRING (DAV) :

- ② : 3 wires (inverse contact) :
black (common) ; gray (NO) ; blue (NC).
- ③ : 2 wires : supply 24 V dc.

MDV21

WIRING (MDV21) :

- ① : monostable security contact
- ② : Microswitch
- ③ : Option EN81-71.



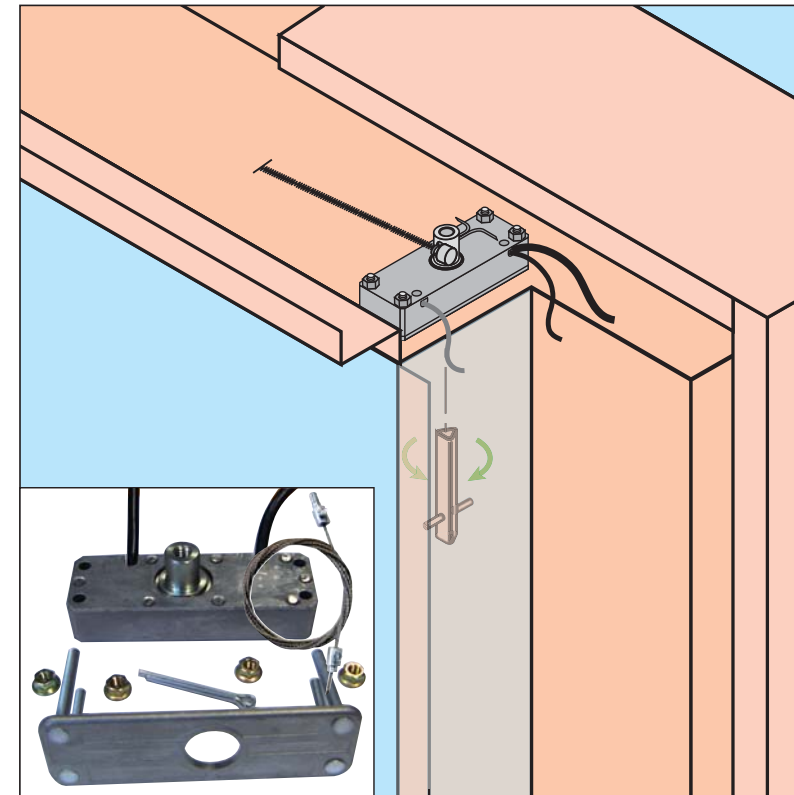
Works with a
bistable rearming
Controller ARM/
MDV21.

prudhomme S.a

38, Rue Charles de Gaulle F
94140 Paris/Alfortville
www.prudhomme.com
Tél. : +33 01 45 18 19 20
Fax : +33 01 45 18 19 21

- Electromechanical anti vandal unlocking (Otis LM - lateral opening)

- Double door-opening detector (Otis LM - lateral opening) Conformity with EN81.21, EN81.21 + EN81.71



Supplies :

- Set DAV Otis LM-L + Screws.
- Set DEX Otis LM-L + Screws.
- Set MDV21 Otis LM-L + Screws.

Optional :

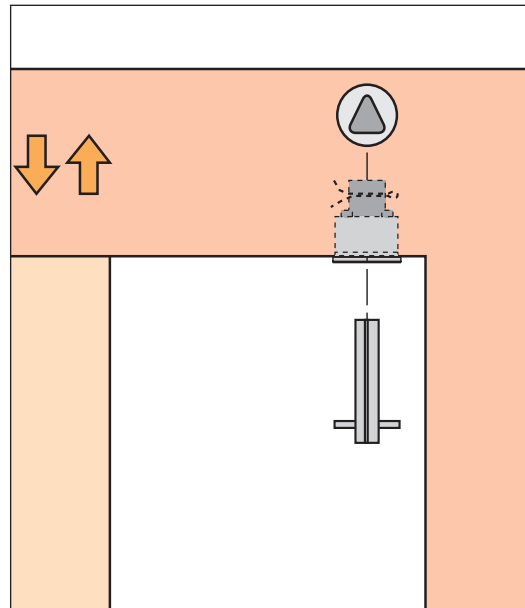
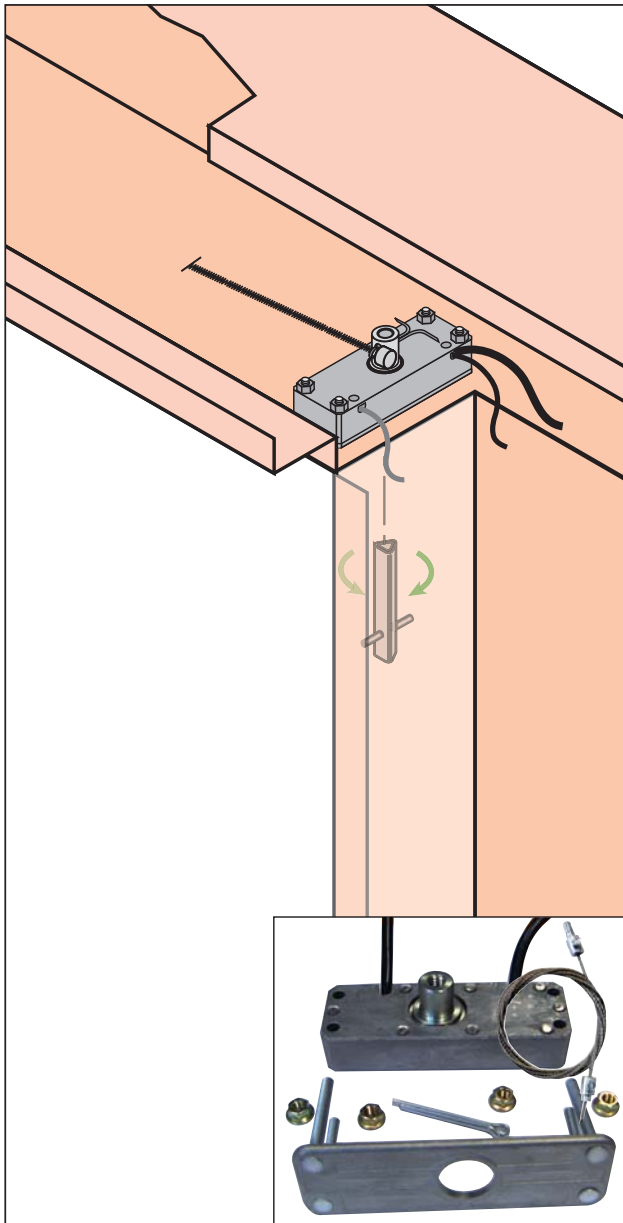
CPDAV/200/300/RON

PLEASE, BEFORE INSTALLATION, READ IT CAREFULLY.

prudhomme S.a

Matériel spécifique pour ascenseurs - specific parts and components for elevators

- Double door-opening detector (Otis LM - lateral opening) Conformity with EN81.21, EN81.21 + EN81.71

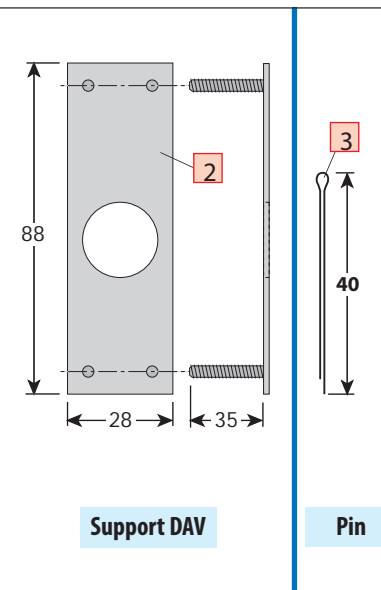
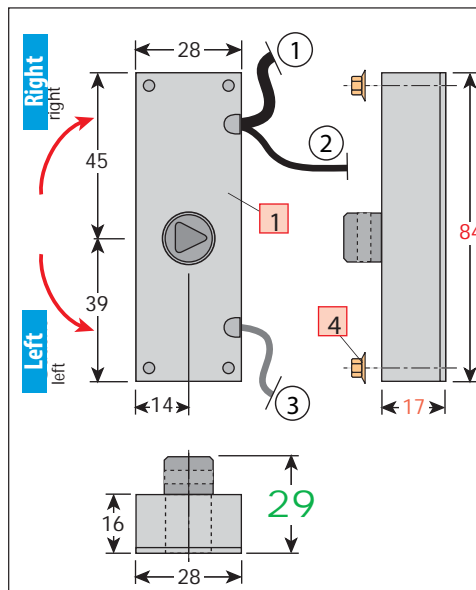


Product composition

Rep.	Qty.	Designation
1	1	DAV800/850 LM
2	1	Support DAV
3	1	Pin

Screws

Rep.	Qty.	Designation
4	2	Nuts M4 treated



DAV - DEX

- **DAV700 LM-L** (24 V dc - 100 mA) : Locking only, **Switched on** : device blocking.

- **DAV750 LM-L** (24 V dc - 100 mA) : Locking only, **Switched off** : device blocking.

- **DAV800 LM-L** (24 V dc - 100 mA) : Switched on, mechanical sticking accessible to the triangle (impossible to use the unlocking key of the lock).

- **DAV850 LM-L** (24 V dc - 100 mA) : Switched off, mechanical sticking accessible to the triangle (impossible to use the unlocking key of the lock).

- **DEX LM-L** (microswitch) : inverse contact for buzzer.

WIRING (DAV) :

- ② : 3 wires (inverse contact) : **black** (common), **gray** (no), **blue** (NC)
- ③ : 2 wires : feeding 24 V dc

MDV21

WIRING (MDV21) :

- ① : monostable security contact
- ② : Microswitch
- ③ : Option EN81-71.

